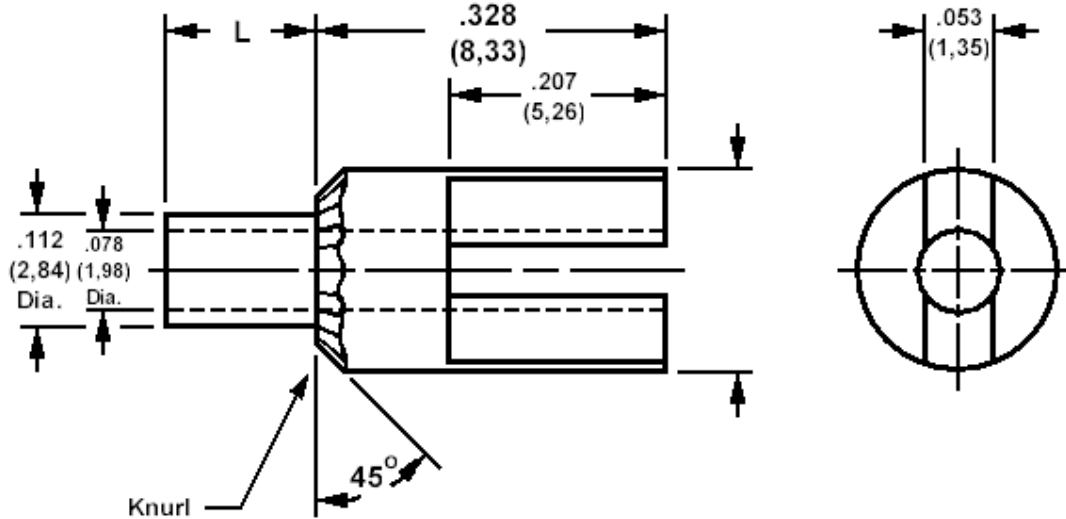


140-1969 Solder terminal, slotted, thru hole, knurled

Recommended mounting hole .116 (2,95), #32 drill



How to order code

140-1969-XX-YY-00

Basic Part No XX = L dimension, YY = Plating Finish

| DIMENSIONS (XX) | | | |
|-----------------|------|-------------|-----------------|
| Basic Part No | (XX) | L | Board Thickness |
| 140-1969 | -01 | .078 (1,98) | .031 (0,79) |
| | -02 | .109 (2,77) | .062 (1,59) |
| | -03 | .141 (3,58) | .094 (2,38) |
| | -04 | .172 (4,37) | .125 (3,18) |

| MATERIALS | | | |
|-----------|----------|---------------|-----------------------|
| Component | Material | Finish (YY) | |
| Terminal | Brass | -01 Silver | -05 Electro Solder |

| SWAGE TOOLING | |
|-----------------------------|-------------------|
| Recommended Swaging Tools:- | |
| Anvil | 435-6402-01-00-00 |
| Roll punch | 435-6601-01-00-00 |
| Flare Punch | 435-6663-01-00-00 |